

**General Description**

Series 6C check valves provide free flow in one direction and dependable shut-off in the reverse direction.

**Operation**

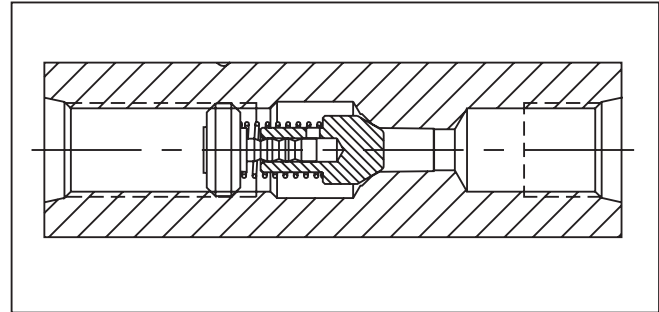
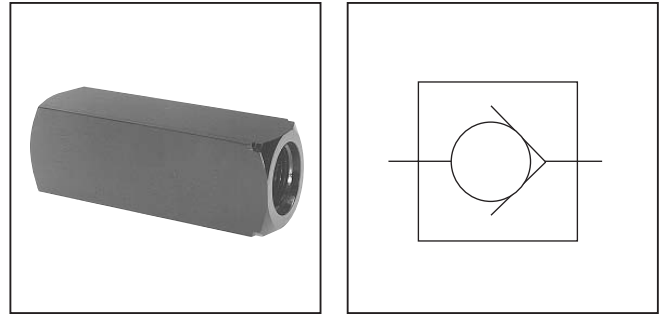
When pressure going through the valve is increased to the cracking level, the valve opens. When the pressure is reduced to below the cracking level, the valve closes.

**Features**

- Meets ISO 6149 standards
- Hard metric dimensions.
- Reliable leak-free performance — straight thread port with o-ring sealing.
- Global interchangeability.

**Specifications**

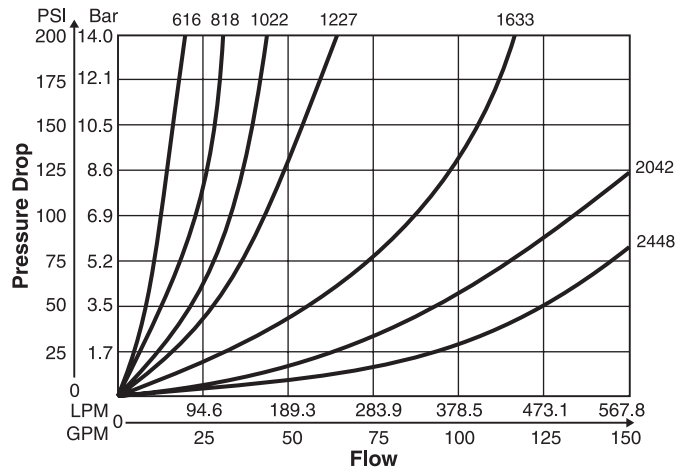
<b>Maximum Operating Pressure</b>	345 Bar (5000 PSI)	
<b>Maximum Flow</b>	M16 x 1.5	19 LPM (5 GPM)
	M18 x 1.5	30 LPM (8 GPM)
	M22 x 1.5	57 LPM (15 GPM)
	M27 x 2.0	95 LPM (25 GPM)
	M33 x 2.0	151 LPM (40 GPM)
	M42 x 2.0	265 LPM (70 GPM)
	M48 x 2.0	379 LPM (100 GPM)
<b>Cracking Pressure</b>	Standard: 0.3 Bar (5 PSI) Optional: 4.5 Bar (65 PSI)	
<b>Material</b>	Body	ASTM 12L14 Carbon Steel
	Poppet	ASTM 416 Stainless Steel
	Retainer	ASTM 416 Stainless Steel
	Spring	ASTM 316 Stainless Steel
<b>Temperature Range of Seal Compound</b>	-40°C to +121°C (-40°F to +250°F) Nitrile (Standard)	
	-26°C to +205°C (-15°F to +400°F) Fluorocarbon	



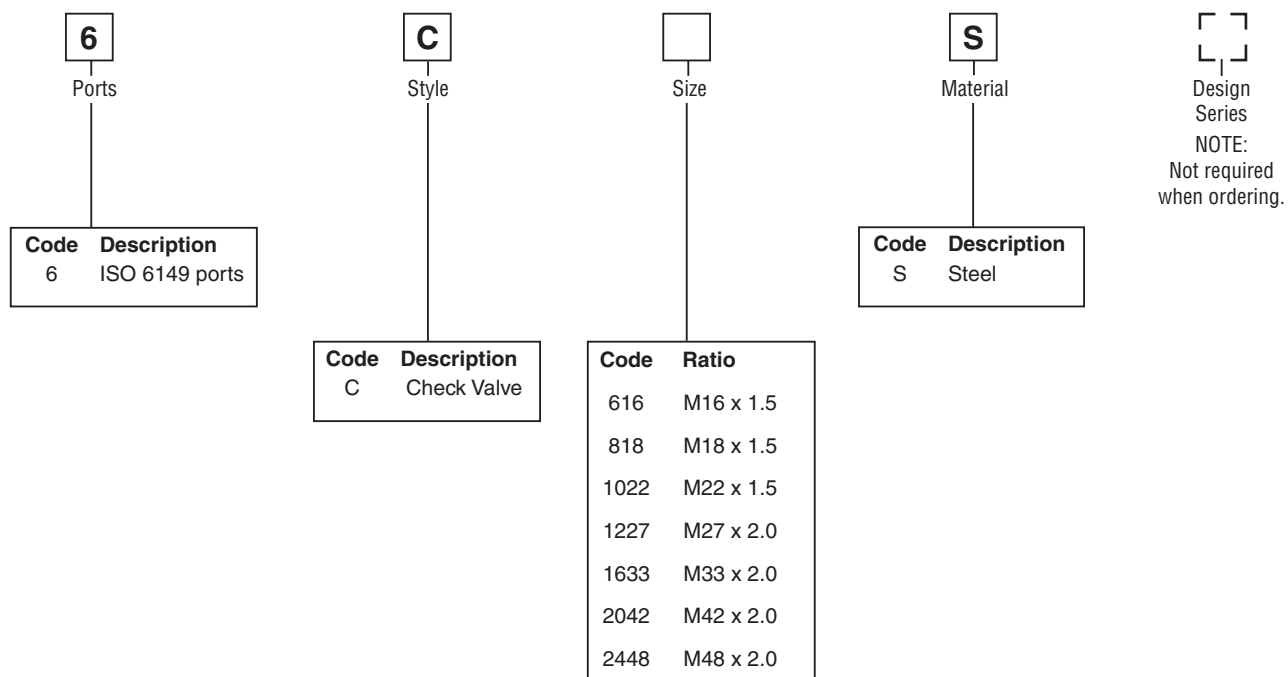
**Performance Curves**

**Controlled Flow vs. Pressure Drop**

Free Flow 0.3 Bar (5 PSI) Cracking  
 100 SSU, Hydraulic Oil

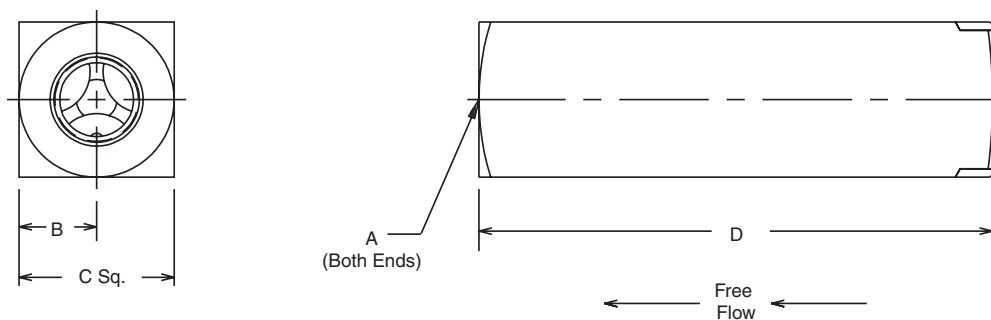


**Ordering Information**



**Dimensions**

Inch equivalents for millimeter dimensions are shown in (\*\*)



Model Number	Weight kg (lbs.)	A	B	C	D
<b>6C616</b>	0.2 (0.5)	M16 x 1.5	12.7 (0.50)	25.4 (1.00)	79.2 (3.12)
<b>6C818</b>	0.3 (0.7)	M18 x 1.5	14.2 (0.56)	28.4 (1.12)	88.9 (3.50)
<b>6C1022</b>	0.6 (1.3)	M22 x 1.5	15.7 (0.62)	31.8 (1.25)	101.6 (4.00)
<b>6C1227</b>	0.9 (2.0)	M27 x 2.0	19.1 (0.75)	38.1 (1.50)	117.3 (4.62)
<b>6C1633</b>	1.5 (3.3)	M33 x 2.0	22.4 (0.88)	44.5 (1.75)	127.0 (5.00)
<b>6C2042</b>	2.8 (6.2)	M42 x 2.0	28.7 (1.13)	57.2 (2.25)	132.8 (5.23)
<b>6C2448</b>	3.8 (8.4)	M48 x 2.0	35.1 (1.38)	69.9 (2.75)	143.0 (5.63)